


APPLICATION & PERFORMANCE SPECIFICATION

B454PUNV-E

Description:	High frequency electronic ballast	
Primary lamp application:	4xF54T5HO	
Secondary lamp applications:	3/2/1xF54T5HO, 4/3/2/1xF54T5HOES-51W, 50W, 49W, 47W, 44W, 4/3/2/1-FT55W/2G11, 4/3-FT50W/2G11	

Features

- Line voltage: 108 - 305 VAC, 50/60Hz
- Parallel Series Lamp Operation
- Programmed Start
- Active Power Factor Correction

Performance									
Lamp		Volts:	Input Watts:	Nominal Line Amps	Power Factor	Ballast Factor	Ballast Efficacy Factor	Harmonic Total	Crest Factor
Type	Qty								
F54T5HO	4	120	229	1.92	>.99	1.00	0.44	<10%	<1.7
		277	223	0.81	>.98	1.00	0.45	<10%	
F54T5HO	3	120	171	1.43	>.99	1.05	0.61	<10%	<1.7
		277	169	0.62	>.95	1.05	0.62	<10%	
F54T5HO	2	120	113	0.95	>.95	1.00	0.88	<10%	<1.7
		277	113	0.42	>.95	1.00	0.88	<15%	
F54T5HO	1	120	59	0.49	>.95	1.05	1.78	<15%	<1.7
		277	60	0.24	>.90	1.05	1.75	<20%	
F54T5HOES-51W	4	120	210	1.76	>.99	0.90	0.43	<10%	<1.7
		277	206	0.75	>.97	0.90	0.44	<10%	
F54T5HOES-51W	3	120	156	1.31	>.99	0.90	0.58	<10%	<1.7
		277	157	0.58	>.97	0.90	0.57	<10%	
F54T5HOES-51W	2	120	103	0.86	>.99	0.90	0.87	<10%	<1.7
		277	103	0.39	>.97	0.90	0.87	<10%	
F54T5HOES-51W	1	120	55	0.46	>.99	0.90	1.64	<10%	<1.7
		277	57	0.23	>.97	0.90	1.58	<10%	
F54T5HOES-50W	4	120	214	1.79	>.99	0.90	0.42	<10%	<1.7
		277	209	0.76	>.98	0.90	0.43	<10%	
F54T5HOES-50W	3	120	161	1.35	>.99	0.90	0.56	<10%	<1.7
		277	159	0.58	>.97	0.90	0.57	<10%	
F54T5HOES-50W	2	120	107	0.89	>.99	0.90	0.84	<10%	<1.7
		277	107	0.40	>.98	0.90	0.84	<10%	
F54T5HOES-50W	1	120	55	0.46	>.99	0.90	1.64	<10%	<1.7
		277	57	0.23	>.97	0.90	1.58	<10%	
F54T5HOES-49W	4	120	203	1.70	>.99	0.90	0.44	<10%	<1.7
		277	200	0.73	>.98	0.90	0.45	<10%	
F54T5HOES-49W	3	120	153	1.28	>.99	0.90	0.59	<10%	<1.7
		277	152	0.56	>.96	0.90	0.59	<10%	
F54T5HOES-49W	2	120	102	0.85	>.99	0.90	0.88	<10%	<1.7
		277	102	0.38	>.98	0.90	0.88	<10%	
F54T5HOES-49W	1	120	52	0.44	>.99	0.90	1.72	<10%	<1.7
		277	54	0.22	>.96	0.90	1.67	<10%	

Application and performance specification information subject to change without notification.

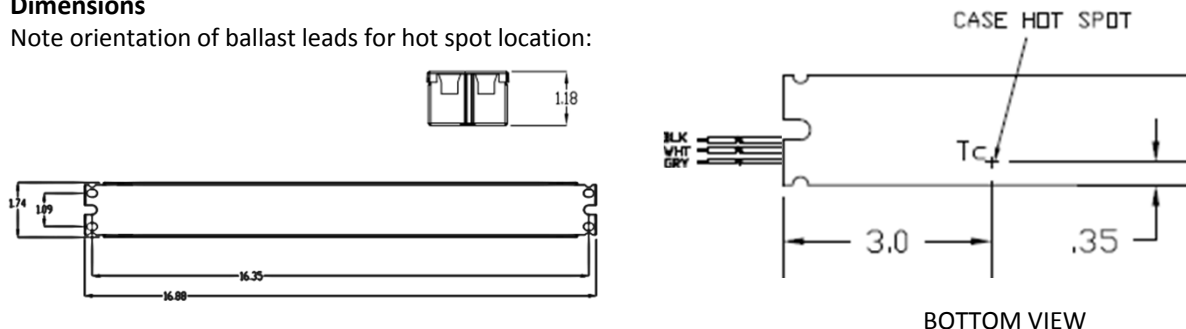
B454PUNV-E

Performance									
Lamp		Volts:	Input Watts:	Nominal Line Amps	Power Factor	Ballast Factor	Ballast Efficacy Factor	Harmonic Total	Crest Factor
Type	Qty								
F54T5HOES-47W	4	120	201	1.69	>.99	0.90	0.45	<10%	<1.7
		277	197	0.72	>.98	0.90	0.46	<10%	
F54T5HOES-47W	3	120	151	1.26	>.99	0.90	0.60	<10%	<1.7
		277	150	0.55	>.96	0.90	0.60	<10%	
F54T5HOES-47W	2	120	100	0.84	>.99	0.90	0.90	<10%	<1.7
		277	100	0.38	>.98	0.90	0.90	<10%	
F54T5HOES-47W	1	120	52	0.44	>.99	0.90	1.73	<10%	<1.7
		277	53	0.22	>.96	0.90	1.70	<10%	
F54T5HOES-44W	4	120	186	1.56	>.99	0.90	0.48	<10%	<1.7
		277	182	0.67	>.97	0.90	0.49	<10%	
F54T5HOES-44W	3	120	142	1.19	>.99	0.90	0.63	<10%	<1.7
		277	141	0.52	>.96	0.90	0.64	<10%	
F54T5HOES-44W	2	120	95	0.79	>.99	0.92	0.97	<10%	<1.7
		277	95	0.36	>.97	0.92	0.97	<10%	
F54T5HOES-44W	1	120	48	0.41	>.99	0.92	1.92	<10%	<1.7
		277	50	0.21	>.96	0.92	1.84	<10%	
FT55W/2G11	4	120	220	1.84	>.99	0.90	0.41	<10%	<1.7
		277	214	0.78	>.98	0.90	0.42	<10%	
FT55W/2G11	3	120	162	1.35	>.99	0.93	0.57	<10%	<1.7
		277	161	0.59	>.95	0.93	0.58	<10%	
FT55W/2G11	2	120	111	0.93	>.99	0.90	0.81	<10%	<1.7
		277	111	0.41	>.98	0.90	0.81	<10%	
FT55W/2G11	1	120	57	0.47	>.99	0.93	1.63	<10%	<1.7
		277	59	0.24	>.95	0.93	1.58	<10%	
FT50W/2G11	4	120	202	1.69	>.99	1.10	0.54	<10%	<1.7
		277	204	0.75	>.98	1.10	0.54	<10%	
FT50W/2G11	3	120	158	1.32	>.99	1.13	0.72	<10%	<1.7
		277	156	0.58	>.95	1.13	0.72	<10%	
FT50W/2G11	2	120	105	0.88	>.99	1.10	1.05	<10%	<1.7
		277	105	0.39	>.98	1.10	1.05	<10%	
FT50W/2G11	1	120	54	0.45	>.99	1.13	2.09	<10%	<1.7
		277	56	0.23	>.95	1.13	2.02	<10%	

Application and performance specification information subject to change without notification.

Dimensions

Note orientation of ballast leads for hot spot location:



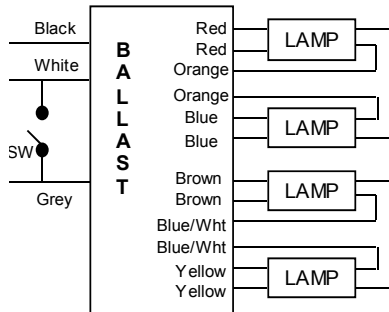
B454PUNV-E

Standards, Listings and Compliance

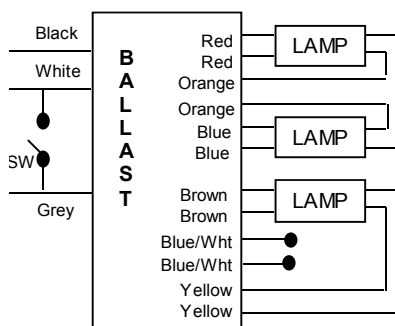
- cUL_{US} Listed
- Class P, Type 1 Outdoor, Type HL
- FCC CFR 47 Part 18 for EMI and RFI non-consumer limits
- ANSI Standard C82.11
- ANSI Standard C62.41
- Sound Rated: Class A
- Contains no PCB's
- Antistriation Circuitry
- End of Lamp Life Shutdown

Application	Dimensions	Leads (± 1")																								
<ul style="list-style-type: none"> • Minimum starting temperature: 0°F/-18°C • With no remote mounting: -20°F/-29°C • With Energy Saving lamps: 60°F/16°C • Maximum case temperature at t_c: 167°F/75°C • Remote mounting: 20' max 	<ul style="list-style-type: none"> • Overall length: 16.9" • Overall width: 1.7" • Overall height: 1.2" • Mounting Length: 16.4" • Weight: 2.5-lb • Carton Quantity: 10 	<table border="1"> <thead> <tr> <th></th> <th>010C/000T</th> <th>000I</th> <th>0LLC</th> </tr> </thead> <tbody> <tr> <td>• Black, White, Grey</td> <td>25"</td> <td>12"</td> <td>25"</td> </tr> <tr> <td>• Red, Blue</td> <td>28"</td> <td>12"</td> <td>28"</td> </tr> <tr> <td>• Blu/Wht</td> <td>33"</td> <td>21"</td> <td>48"</td> </tr> <tr> <td>• Yellow, Brown</td> <td>28"</td> <td>12"</td> <td>28"</td> </tr> <tr> <td>• Orange</td> <td>33"</td> <td>21"</td> <td>48"</td> </tr> </tbody> </table>		010C/000T	000I	0LLC	• Black, White, Grey	25"	12"	25"	• Red, Blue	28"	12"	28"	• Blu/Wht	33"	21"	48"	• Yellow, Brown	28"	12"	28"	• Orange	33"	21"	48"
	010C/000T	000I	0LLC																							
• Black, White, Grey	25"	12"	25"																							
• Red, Blue	28"	12"	28"																							
• Blu/Wht	33"	21"	48"																							
• Yellow, Brown	28"	12"	28"																							
• Orange	33"	21"	48"																							

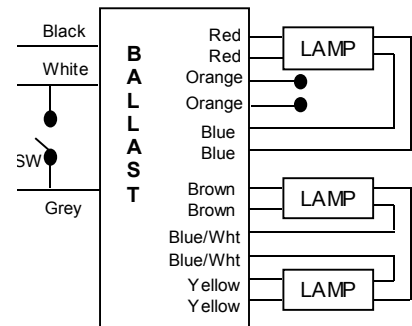
Connections



SW	
Closed	4 Lamps
Open	2 Lamps



SW	
Closed	3 Lamps
Open	2 Lamps



SW	
Closed	3 Lamps
Open	1 Lamp

Application Notes

- 'SW' controls the lamps connected between the Brown and Yellow leads.
- For lamp switching applications, connect 'SW' between the white and the grey leads as shown in the wiring diagram above OR between the Black and Grey leads. 'SW' may be an on-off switch, an occupancy sensor, a relay, etc.
- If lamp switching is not required, short the white and grey leads OR the black and the grey leads.
- A single control device, 'SW', may be connected to control multiple ballasts.
- For three lamp use individually cap Blue/White or Orange leads.

Ballast must be grounded – a star washer or other paint penetrating device is required

Ballast must be installed in accordance with national and local electrical codes

Manufactured in North America by Universal Lighting Technologies

WARRANTY

Universal Lighting Technologies warrants to the purchaser that each electronic ballast will be free from defects in material or workmanship for a period of (5) years from date of manufacture when properly installed and under normal conditions of use at a maximum case temperature of 75°C.

Call 1-800-BALLASTx800 for technical assistance.