

Ball Valve

MP-II/MP-CI

PN 16
DN 15-150
Wafer-type Body

Type Series Booklet



Legal information/Copyright

Type Series Booklet MP-II/MP-CI

KSB Aktiengesellschaft

All rights reserved. The contents provided herein must neither be distributed, copied, reproduced, edited or processed for any other purpose, nor otherwise transmitted, published or made available to a third party without KSB's express written consent.

Subject to technical modification without prior notice.

© KSB Aktiengesellschaft Frankenthal 2013

Ball Valves

Single-piece Ball Valves

MP-II/MP-CI



Main applications

- Irrigation systems
- Fire-fighting systems
- Domestic water supply
- Air-conditioning systems
- Cooling circuits
- Water supply systems

Fluids handled

- Cooling water
- Fire-fighting water
- Oil
- Service water

Operating data

Operating properties

Characteristic	Value
Nominal pressure	PN 16
Nominal size	DN 15-150
Max. permissible pressure	16 bar
Max. permissible temperature	200 °C

Selection as per pressure/temperature ratings (⇒ Page 4)

Body materials

Overview of available materials

Material	Material number	Temperature limit
MP-CI		
P250GH	1.0460	+200 °C

Material	Material number	Temperature limit
MP-II		
GXCrNiMo19-11-2	1.4408	+200 °C

Design details

Design

- MP-CI made of carbon steel
- MP-II made of stainless steel
- Tested to EN 12266-1
- Suitable for PN 16 flanges
- Screwed body insert
- PTFE gasket

Variants

- Gearboxes
- Electric actuators
- Larger nominal sizes
- Other material variants

Product benefits

- Kanigen-treated body (MP-CI)
- Prepared for actuator mounting by drilled ISO thread holes

Related documents

- Operating manual V020625/6

On all enquiries / orders please specify

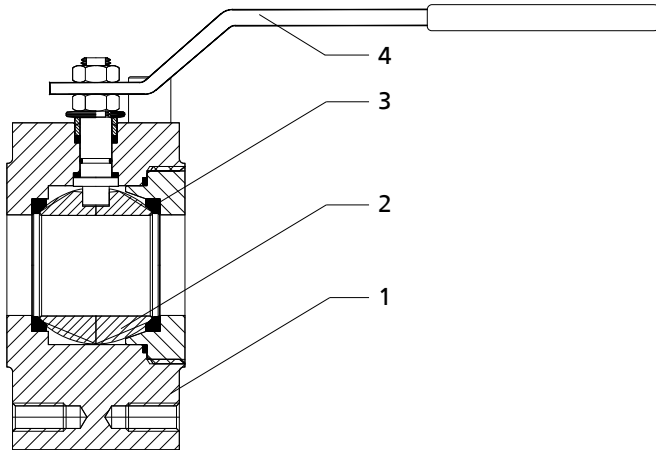
1. Type
2. Nominal pressure
3. Nominal size
4. Variants
5. Number of type series booklet

Pressure/temperature ratings

Permissible operating pressures in bar at temperatures in °C

Nominal pressure	Nominal size	Permissible operating pressures ¹⁾
PN	DN	Up to +200 °C
16	15-150	16,0

Materials

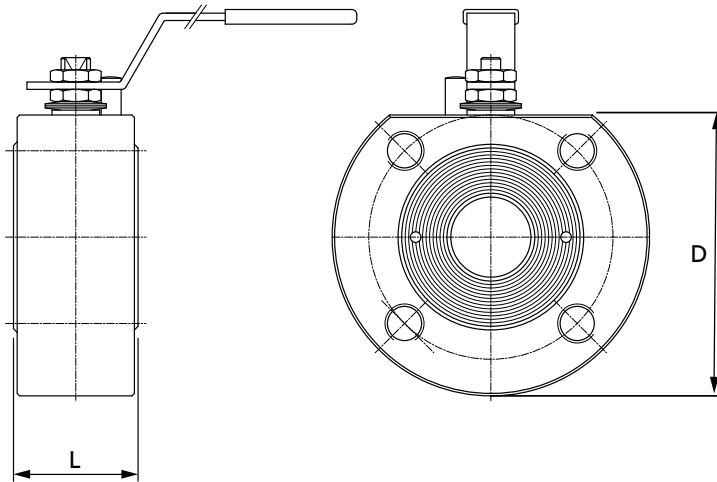


Overview of available materials

Part No.	Description	Material	Material number	Note
1	Body	P250GH	1.0460	Kanigen-treated (MP-CI)
		GXCrNiMo19-11-2	1.4408	(MP-II)
2	Ball	X5CrNi18-10	1.4301	(MP-CI)
		GXCrNiMo19-11-2	1.4408	(MP-II)
3	Seat	PTFE/graphite		
4	Lever	X5CrNi18-10	1.4301	

¹⁾ Static load

Dimensions



Dimensions in mm

PN	DN	L	D	[kg]
16	15	35	94	1,6
	20	39	99	2,0
	25	43	113	2,6
	32	51	130	3,9
	40	64	140	6,7
	50	83	163	8,0
	65	105	178	14,9
	80	120	195	19,8
	100	152	215	29,8
	125	196	245	47,0
	150	236	280	69,2

Mating dimensions - Standards

Face-to-face lengths: EN 558-1/100
Flanges: EN 1092-1



KSB Italia S.p.A.

Via Massimo D'Azeglio, 32

20049 Concorezzo MB

Tel. +39 039 6048-000 – Fax +39 039 6048-097

www.ksb.com

Centri Service

Concorezzo MB • Via Massimo D'Azeglio, 32

Tel. +39 039 6048-000 • Fax +39 039 6048-882

Scorzè VE • Via Guido Rossa, 12/A

Tel. +39 041 5840917 • Fax +39 041 5840918