

M17548TAC3M

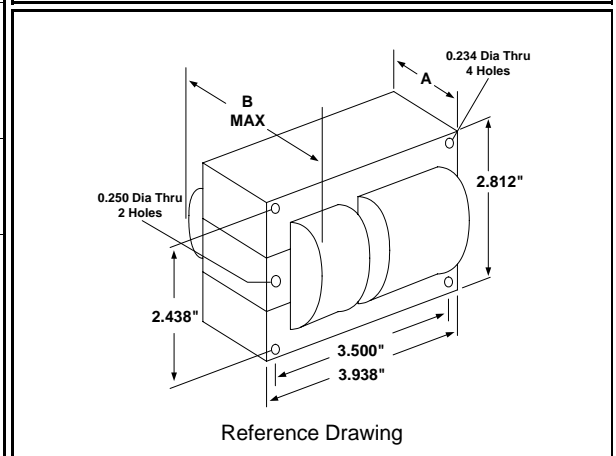
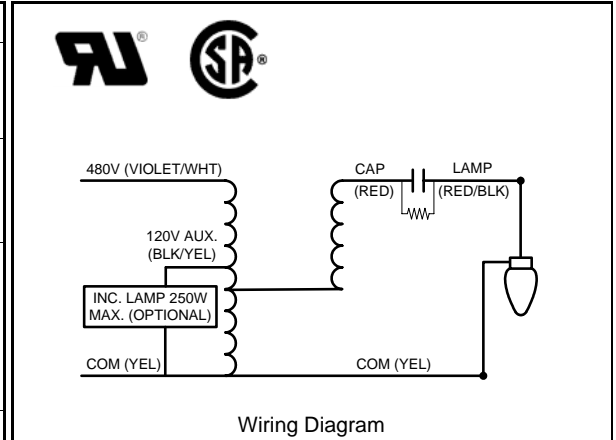
175W M57 / M107

Metal Halide

60Hz CWA

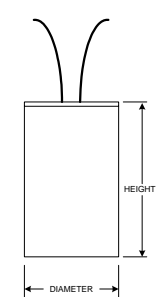
Specification Sheet

Input Volts	480				
Regulation					
Line Volts	±10%				
Lamp Watts	±10%				
Power Factor (min)	90%				
Input Watts	210 W				
NOM. Open Circuit Voltage	315 V				
Line Current (Amps)					
Operating	0.42				
Open Circuit	0.51				
Starting	0.27				
Recommended Fuse (Amps)	2				
Lamp Dropout Voltage (Line)	220 V				
UL Temperature Ratings					
Insulation Class	H (180°C)				
Temperature Code	D				
MIN. Starting Temperature	-22°F -30°C				
CAPACITOR Specifications					
Microfarads	10 uf				
Volts (min.)	400 V				
60Hz Test Procedures					
High Potential Test 1 Minute	2000 V				
High Potential Test 1 Second	2500 V				
Secondary Open Ckt Voltage (V)	285 - 345				
Secondary Current Shorted (A)	1.55 - 1.95				
Input Operating Current (A)	0.38 - 0.47				
Input Open Circuit Current (A)	0.26 - 0.73				
Input Short Circuit Current (A)	0.15 - 0.30				
Core and Coil Specifications					
Dimension A	2.00 in				
Dimension B	3.30 in				
Weight	5.60 lbs				
Lead Lengths (inches)	12-14				
Coil Material (Pri. / Sec.):	Cu / Al				



Capacitor: R17058555 **Ignitor: None**

Max Case Temp: 100 °C
 Height: 2.83 in
 Width / Diameter: 1.65 in



This Ballast does not require a Ignitor

Oil Cap. - P/N 005-1184-MF Consult Catalog for Specs.

Document #:	010-9850-07
Date:	7/22/2009
Status:	Production
Replaces Catalog #:	1132-331

Data is based upon tests performed by Universal Lighting Technologies in a controlled environment and is representative of relative performance. Actual performance may vary depending on operating conditions. Specifications are subject to change without notice.