

M175MLTAC3M

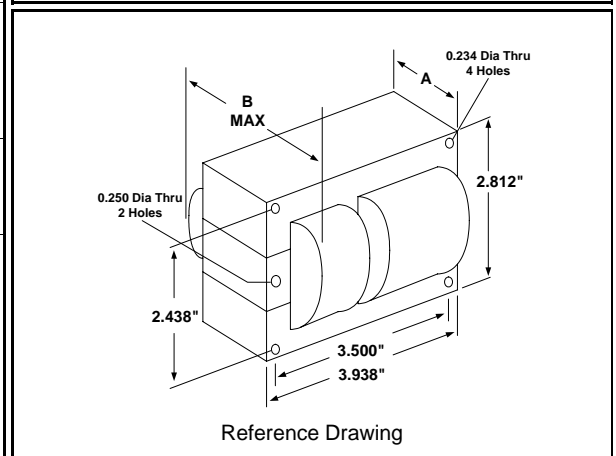
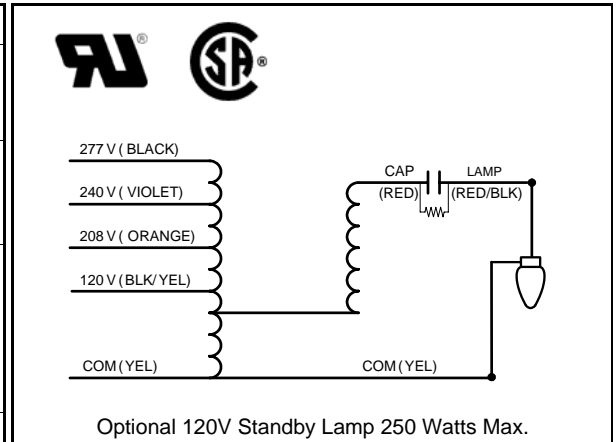
175W M57 / M107

Metal Halide

60Hz CWA

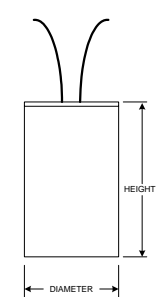
Specification Sheet

Input Volts	120	208	240	277
Regulation				
Line Volts	±10%	±10%	±10%	±10%
Lamp Watts	±10%	±10%	±10%	±10%
Power Factor (min)	90%	90%	90%	90%
Input Watts	213 W	213 W	213 W	213 W
NOM. Open Circuit Voltage	305 V	305 V	305 V	305 V
Line Current (Amps)				
Operating	1.90	1.10	0.95	0.85
Open Circuit	1.70	0.95	0.85	0.70
Starting	1.40	0.80	0.70	0.60
Recommended Fuse (Amps)	5	3	3	2
Lamp Dropout Voltage (Line)	60 V	100 V	120 V	135 V
UL Temperature Ratings				
Insulation Class	H (180°C)	H (180°C)	H (180°C)	H (180°C)
Temperature Code	A	C	B	C
MIN. Starting Temperature	-22°F -30°C	-22°F -30°C	-22°F -30°C	-22°F -30°C
CAPACITOR Specifications				
Microfarads	10 uf	10 uf	10 uf	10 uf
Volts (min.)	400 V	400 V	400 V	400 V
60Hz Test Procedures				
High Potential Test 1 Minute	2000 V	2000 V	2000 V	2000 V
High Potential Test 1 Second	2500 V	2500 V	2500 V	2500 V
Secondary Open Ckt Voltage (V)	275 - 335	275 - 335	275 - 335	275 - 335
Secondary Current Shorted (A)	1.55 - 1.90	1.55 - 1.90	1.55 - 1.90	1.55 - 1.90
Input Operating Current (A)	1.70 - 2.20	1.00 - 1.25	0.85 - 1.10	0.75 - 0.95
Input Open Circuit Current (A)	0.80 - 2.45	0.45 - 1.40	0.40 - 1.25	0.35 - 1.05
Input Short Circuit Current (A)	1.05 - 1.60	0.60 - 0.90	0.50 - 0.80	0.45 - 0.70
Core and Coil Specifications				
Dimension A	2.20 in	2.20 in	2.20 in	2.20 in
Dimension B	3.60 in	3.60 in	3.60 in	3.60 in
Weight	6.10 lbs	6.10 lbs	6.10 lbs	6.10 lbs
Lead Lengths (inches)	12-14	12-14	12-14	12-14
Coil Material (Pri. / Sec.):	Cu / Al	Cu / Al	Cu / Al	Cu / Al



Capacitor: R17058555 **Ignitor: None**

Max Case Temp: 100 °C
 Height: 2.83 in
 Width / Diameter: 1.65 in



This Ballast does not require a Ignitor

Oil Cap. - P/N 005-1184-MF Consult Catalog for Specs.

Document #:	010-10883-06
Date:	7/22/2009
Status:	Production
Replaces Catalog #:	New Design

Data is based upon tests performed by Universal Lighting Technologies in a controlled environment and is representative of relative performance. Actual performance may vary depending on operating conditions. Specifications are subject to change without notice.

Universal Lighting Technologies

26 Century Blvd. Suite 500 - Nashville, TN 37214

Phone 1-800-225-5278 Fax 1-800-206-0035

www.unvlt.com