

M10048TLC3M

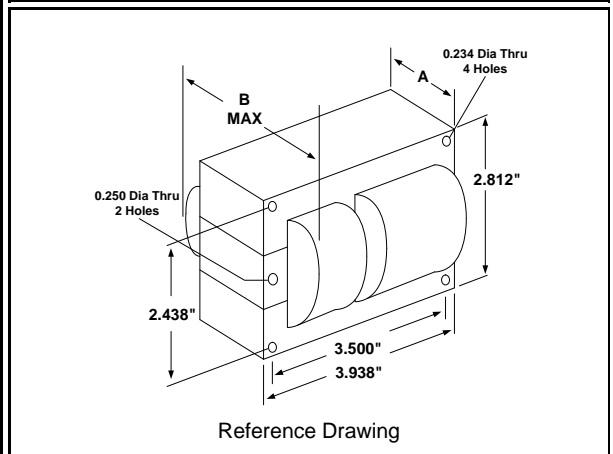
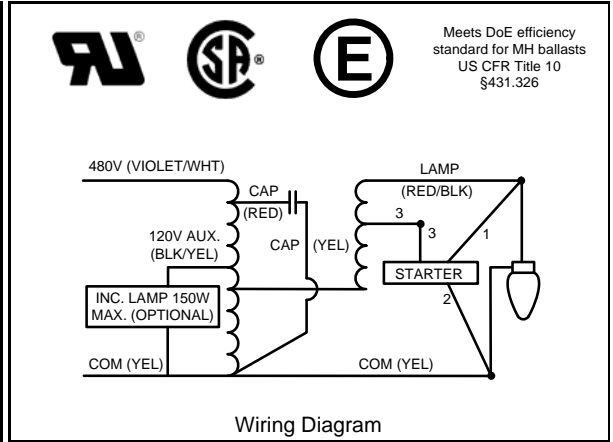
100W M90 / M92 / M140

Metal Halide

60Hz HX-HPF

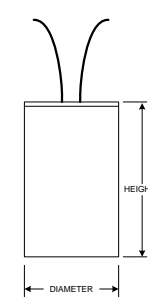
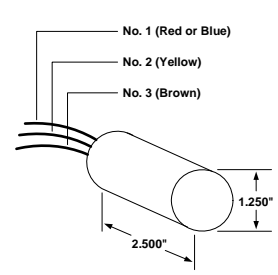
Specification Sheet

Input Volts	480				
Regulation					
Line Volts	±5%				
Lamp Watts	±10%				
Power Factor (min)	90%				
Input Watts	127 W				
NOM. Open Circuit Voltage	285 V				
Line Current (Amps)					
Operating	0.30				
Open Circuit	0.60				
Starting	0.30				
Recommended Fuse (Amps)	2				
Lamp Dropout Voltage (Line)	300 V				
UL Temperature Ratings					
Insulation Class	H (180°C)				
Temperature Code	C				
MIN. Starting Temperature	-22°F -30°C				
CAPACITOR Specifications					
Microfarads	10 uf				
Volts (min.)	300 V				
60Hz Test Procedures					
High Potential Test 1 Minute	2000 V				
High Potential Test 1 Second	2500 V				
Secondary Open Ckt Voltage (V)	255 - 315				
Secondary Current Shorted (A)	1.25 - 1.60				
Input Operating Current (A)	0.25 - 0.30				
Input Open Circuit Current (A)	0.30 - 0.85				
Input Short Circuit Current (A)	0.20 - 0.40				
Core and Coil Specifications					
Dimension A	1.70 in				
Dimension B	3.00 in				
Weight	5.5 lbs				
Lead Lengths (inches)	12-14				
Coil Material (Pri. / Sec.):	Cu / Cu				



Capacitor: R17058555 **Ignitor: MH100-3A**

Max Case Temp: 100 °C Max Case Temp 105 °C
 Height: 2.83 in BTL: 10 ft
 Width / Diameter: 1.65 in

Oil Cap. - P/N 005-1413-MF Consult Catalog for Specs.

Document #:	010-11374-07
Date:	2/28/2017
Status:	Production
Replaces Catalog #:	New Design

Data is based upon tests performed by Universal Lighting Technologies in a controlled environment and is representative of relative performance. Actual performance may vary depending on operating conditions. Specifications are subject to change without notice.

Universal Lighting Technologies

26 Century Blvd. Suite 500 - Nashville, TN 37214

Phone 1-800-225-5278 Fax 1-800-206-0035

www.unvlt.com

2/22/2017