

# M7048TLC3M

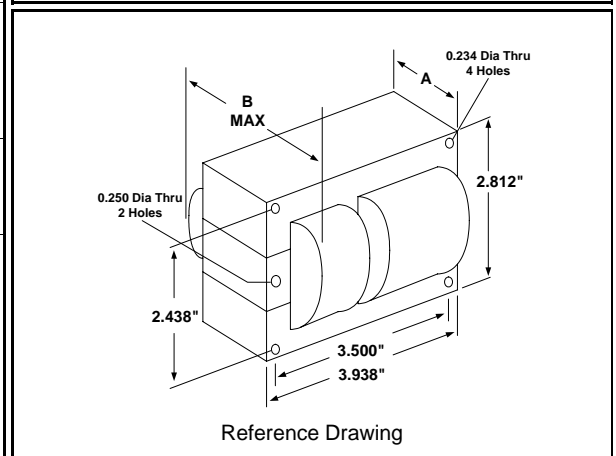
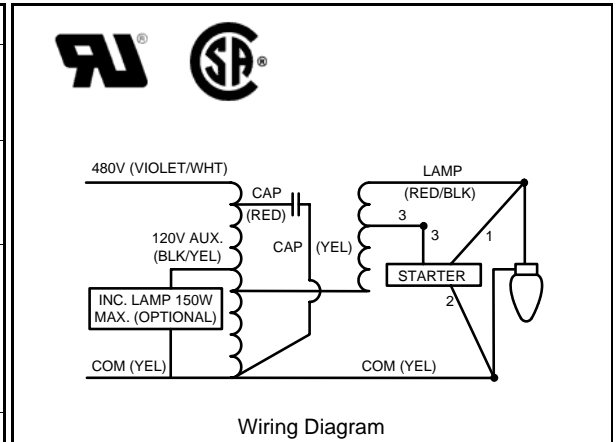
70W M98 / M143 (C98)

Metal Halide

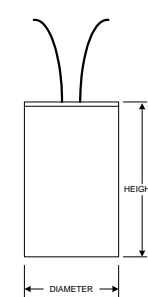
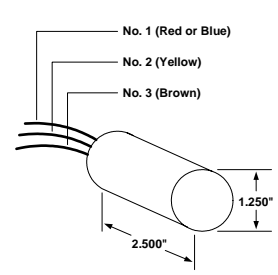
60Hz HX-HPF

## Specification Sheet

<b>Input Volts</b>	480				
<b>Regulation</b>					
Line Volts	±5%				
Lamp Watts	±10%				
Power Factor (min)	90%				
Input Watts	95 W				
NOM. Open Circuit Voltage	260 V				
<b>Line Current (Amps)</b>					
Operating	0.21				
Open Circuit	0.45				
Starting	0.18				
Recommended Fuse (Amps)	1				
Lamp Dropout Voltage (Line)	310 V				
<b>UL Temperature Ratings</b>					
Insulation Class	H (180°C)				
Temperature Code	E				
MIN. Starting Temperature	-22°F -30°C				
<b>CAPACITOR Specifications</b>					
Microfarads	8 uf				
Volts (min.)	300 V				
<b>60Hz Test Procedures</b>					
High Potential Test 1 Minute	2000 V				
High Potential Test 1 Second	2500 V				
Secondary Open Ckt Voltage (V)	235 - 285				
Secondary Current Shorted (A)	0.95 - 1.30				
Input Operating Current (A)	0.18 - 0.24				
Input Open Circuit Current (A)	0.20 - 0.60				
Input Short Circuit Current (A)	0.14 - 0.24				
<b>Core and Coil Specifications</b>					
Dimension A	1.35 in				
Dimension B	2.80 in				
Weight	4.2 lbs				
Lead Lengths (inches)	12-14				
Coil Material (Pri. / Sec.):	Cu / Al				



<b>Capacitor: R17058535</b>	<b>Ignitor: MH100-3A</b>
Max Case Temp: 100 °C	Max Case Temp 105 °C
Height: 2.83 in	BTL: 15 ft
Width / Diameter: 1.65 in	

Oil Cap. - P/N 005-1411-MF Consult Catalog for Specs.

Document #:	010-14023-01
Date:	10/9/2012
Status:	Production
Replaces Catalog #:	New Design

Data is based upon tests performed by Universal Lighting Technologies in a controlled environment and is representative of relative performance. Actual performance may vary depending on operating conditions. Specifications are subject to change without notice.