

M1500MLTAC5M

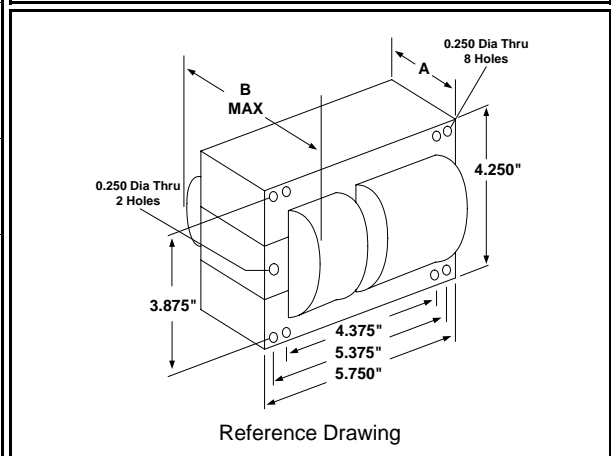
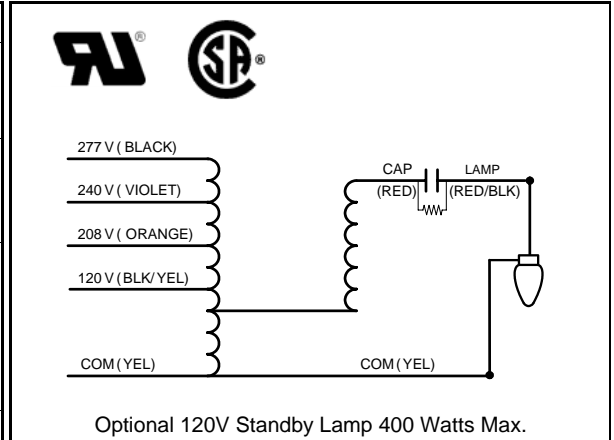
1500W M48

Metal Halide

60Hz CWA

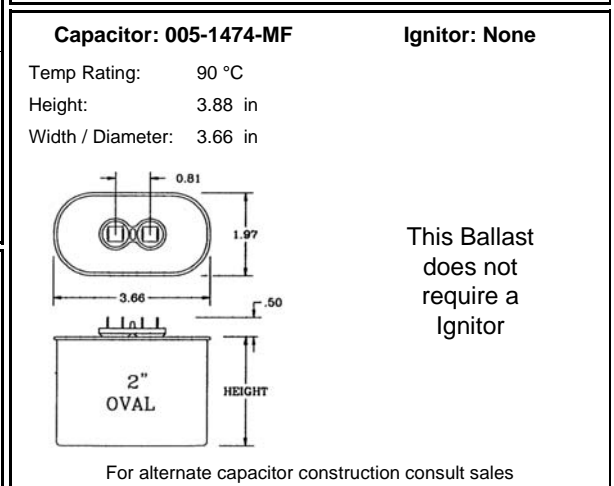
Specification Sheet

Input Volts	120	208	240	277
Regulation				
Line Volts	±10%	±10%	±10%	±10%
Lamp Watts	±10%	±10%	±10%	±10%
Power Factor (min)	90%	90%	90%	90%
Input Watts	1615 W	1615 W	1615 W	1615 W
NOM. Open Circuit Voltage	455 V	455 V	455 V	455 V
Line Current (Amps)				
Operating	14.30	8.30	7.20	6.20
Open Circuit	9.40	5.40	4.70	4.05
Starting	6.35	3.65	3.20	2.75
Recommended Fuse (Amps)	40	25	20	20
Lamp Dropout Voltage (Line)	70 V	120 V	140 V	160 V
UL Temperature Ratings				
Insulation Class	H (180°C)	H (180°C)	H (180°C)	H (180°C)
Temperature Code	F	G	F	E
MIN. Starting Temperature	-22°F -30°C	-22°F -30°C	-22°F -30°C	-22°F -30°C
CAPACITOR Specifications				
Microfarads	32 uf	32 uf	32 uf	32 uf
Volts (min.)	525 V	525 V	525 V	525 V
60Hz Test Procedures				
High Potential Test 1 Minute	2000 V	2000 V	2000 V	2000 V
High Potential Test 1 Second	2500 V	2500 V	2500 V	2500 V
Secondary Open Ckt Voltage (V)	405 - 495	405 - 495	405 - 495	405 - 495
Secondary Current Shorted (A)	7.45 - 9.15	7.45 - 9.15	7.45 - 9.15	7.45 - 9.15
Input Operating Current (A)	12.60 - 15.40	7.80 - 9.60	6.30 - 7.75	5.50 - 6.80
Input Open Circuit Current (A)	4.65 - 13.65	2.70 - 7.90	2.30 - 6.85	2.00 - 5.95
Input Short Circuit Current (A)	4.85 - 7.30	2.10 - 3.25	2.40 - 3.65	2.10 - 3.25
Core and Coil Specifications				
Dimension A	4.40 in	4.40 in	4.40 in	4.40 in
Dimension B	6.40 in	6.40 in	6.40 in	6.40 in
Weight	30.0 lbs	30.0 lbs	30.0 lbs	30.0 lbs
Lead Lengths (inches)	12-14	12-14	12-14	12-14
Coil Material (Pri. / Sec.):	Cu / Cu	Cu / Cu	Cu / Cu	Cu / Cu



Capacitor: 005-1474-MF **Ignitor: None**

Temp Rating: 90 °C
 Height: 3.88 in
 Width / Diameter: 3.66 in



This Ballast does not require a Ignitor

For alternate capacitor construction consult sales

Document #:	010-11756-01
Date:	6/13/2008
Status:	Production
Replaces Catalog #:	1130-99R

Data is based upon tests performed by Universal Lighting Technologies in a controlled environment and is representative of relative performance. Actual performance may vary depending on operating conditions. Specifications are subject to change without notice.

Universal Lighting Technologies

26 Century Blvd. Suite 500 - Nashville, TN 37214

Phone 1-800-225-5278 Fax 1-800-206-0035

www.unvlt.com

6/12/2008