

# M250MLTAC4M

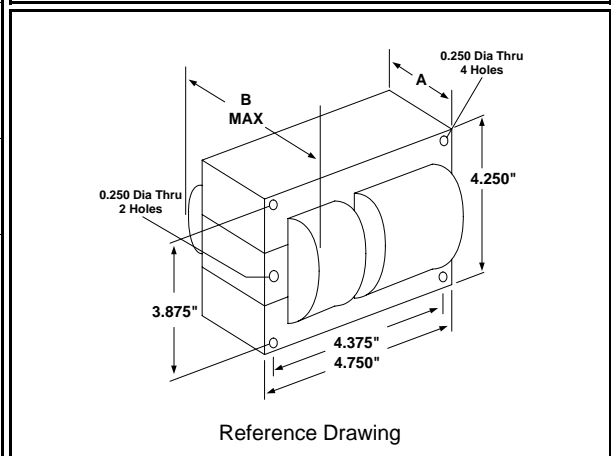
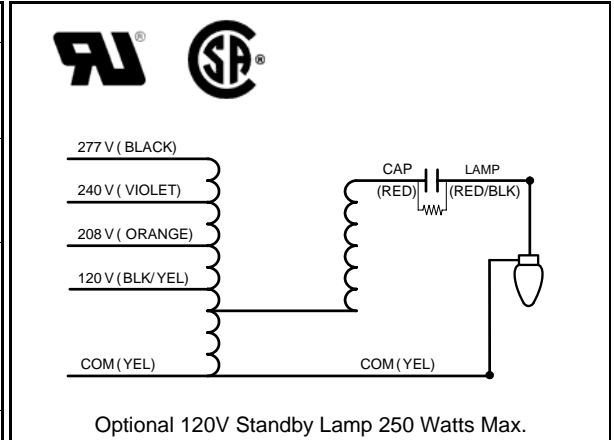
250W M58

Metal Halide

60Hz CWA

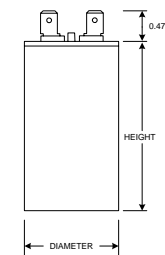
## Specification Sheet

<b>Input Volts</b>	120	208	240	277
<b>Regulation</b>				
Line Volts	±10%	±10%	±10%	±10%
Lamp Watts	±10%	±10%	±10%	±10%
Power Factor (min)	90%	90%	90%	90%
Input Watts	290 W	290 W	290 W	290 W
NOM. Open Circuit Voltage	310 V	310 V	310 V	310 V
<b>Line Current (Amps)</b>				
Operating	2.40	1.40	1.20	1.05
Open Circuit	2.40	1.40	1.20	1.05
Starting	1.75	1.00	0.85	0.75
Recommended Fuse (Amps)	8	5	4	4
Lamp Dropout Voltage (Line)	50 V	85 V	95 V	110 V
<b>UL Temperature Ratings</b>				
Insulation Class	H (180°C)	H (180°C)	H (180°C)	H (180°C)
Temperature Code	B	B	B	B
MIN. Starting Temperature	-22°F -30°C	-22°F -30°C	-22°F -30°C	-22°F -30°C
<b>CAPACITOR Specifications</b>				
Microfarads	15 uf	15 uf	15 uf	15 uf
Volts (min.)	400 V	400 V	400 V	400 V
<b>60Hz Test Procedures</b>				
High Potential Test 1 Minute	2000 V	2000 V	2000 V	2000 V
High Potential Test 1 Second	2500 V	2500 V	2500 V	2500 V
Secondary Open Ckt Voltage (V)	275 - 345	275 - 345	275 - 345	275 - 345
Secondary Current Shorted (A)	2.15 - 2.70	2.15 - 2.70	2.15 - 2.70	2.15 - 2.70
Input Operating Current (A)	2.10 - 2.65	1.20 - 1.55	1.05 - 1.35	0.90 - 1.15
Input Open Circuit Current (A)	1.20 - 3.50	0.65 - 2.05	0.60 - 1.75	0.50 - 1.55
Input Short Circuit Current (A)	1.25 - 2.10	0.70 - 1.20	0.60 - 1.05	0.50 - 0.90
<b>Core and Coil Specifications</b>				
Dimension A	1.53 in	1.53 in	1.53 in	1.53 in
Dimension B	3.35 in	3.35 in	3.35 in	3.35 in
Weight	8.00 lbs	8.00 lbs	8.00 lbs	8.00 lbs
Lead Lengths (inches)	12-14	12-14	12-14	12-14
Coil Material (Pri. / Sec.):	Al / Al	Al / Al	Al / Al	Al / Al



**Capacitor: R17058562**      **Ignitor: None**

Max Case Temp: 100 °C  
 Height: 3.82 in  
 Width / Diameter: 1.65 in



This Ballast does not require a Ignitor

Oil Cap. - P/N 005-1185-MF Consult Catalog for Specs.

Document #:	010-9912-07
Date:	10/14/2010
Status:	Production
Replaces Catalog #:	1130-92R

Data is based upon tests performed by Universal Lighting Technologies in a controlled environment and is representative of relative performance. Actual performance may vary depending on operating conditions. Specifications are subject to change without notice.

**Universal Lighting Technologies**

26 Century Blvd. Suite 500 - Nashville, TN 37214

Phone 1-800-225-5278 Fax 1-800-206-0035

www.unvlt.com