

# M25048TAC3M

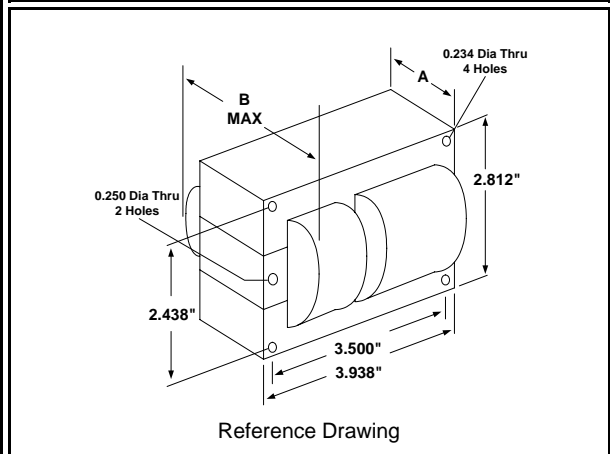
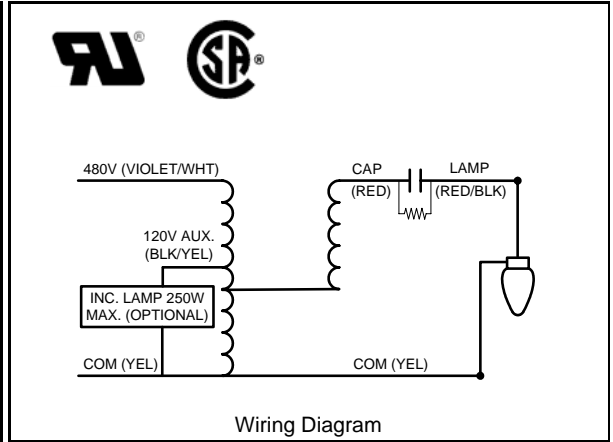
250W M58

Metal Halide

60Hz CWA

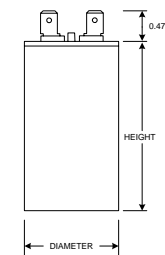
## Specification Sheet

<b>Input Volts</b>	480				
<b>Regulation</b>					
Line Volts	±10%				
Lamp Watts	±10%				
Power Factor (min)	90%				
Input Watts	292 W				
NOM. Open Circuit Voltage	320 V				
<b>Line Current (Amps)</b>					
Operating	0.65				
Open Circuit	0.64				
Starting	0.50				
Recommended Fuse (Amps)	2				
Lamp Dropout Voltage (Line)	260 V				
<b>UL Temperature Ratings</b>					
Insulation Class	H (180°C)				
Temperature Code	D				
MIN. Starting Temperature	-22°F -30°C				
<b>CAPACITOR Specifications</b>					
Microfarads	15 uf				
Volts (min.)	400 V				
<b>60Hz Test Procedures</b>					
High Potential Test 1 Minute	2000 V				
High Potential Test 1 Second	2500 V				
Secondary Open Ckt Voltage (V)	300 - 335				
Secondary Current Shorted (A)	2.20 - 2.75				
Input Operating Current (A)	0.58 - 0.71				
Input Open Circuit Current (A)	0.32 - 0.92				
Input Short Circuit Current (A)	0.35 - 0.70				
<b>Core and Coil Specifications</b>					
Dimension A	3.00 in				
Dimension B	4.30 in				
Weight	9.00 lbs				
Lead Lengths (inches)	12-14				
Coil Material (Pri. / Sec.):	Cu / Al				



**Capacitor: R17058562**      **Ignitor: None**

Max Case Temp: 100 °C  
 Height: 3.82 in  
 Width / Diameter: 1.65 in



This Ballast does not require a Ignitor

Oil Cap. - P/N 005-1185-MF Consult Catalog for Specs.

Document #:	010-9656-05
Date:	10/10/2008
Status:	Production
Replaces Catalog #:	1132-321

Data is based upon tests performed by Universal Lighting Technologies in a controlled environment and is representative of relative performance. Actual performance may vary depending on operating conditions. Specifications are subject to change without notice.