

M40048TAC4M

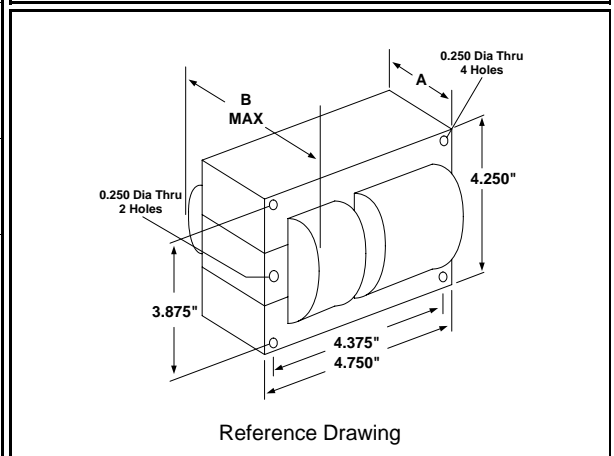
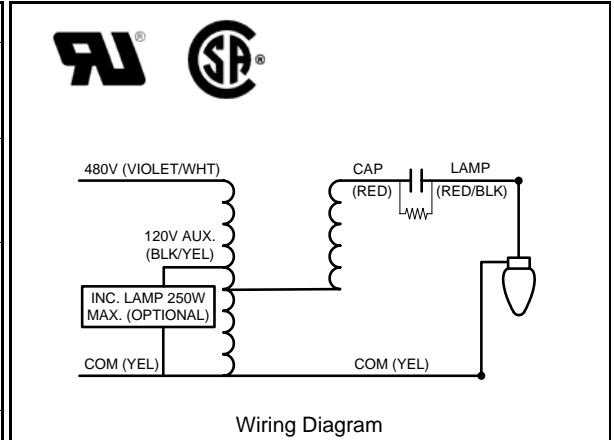
400W M59

Metal Halide

60Hz CWA

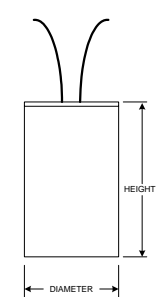
Specification Sheet

Input Volts	480				
Regulation					
Line Volts	±10%				
Lamp Watts	±10%				
Power Factor (min)	90%				
Input Watts	458 W				
NOM. Open Circuit Voltage	300 V				
Line Current (Amps)					
Operating	1.00				
Open Circuit	0.90				
Starting	0.60				
Recommended Fuse (Amps)	3				
Lamp Dropout Voltage (Line)	200 V				
UL Temperature Ratings					
Insulation Class	H (180°C)				
Temperature Code	E				
MIN. Starting Temperature	-22°F -30°C				
CAPACITOR Specifications					
Microfarads	24 uf				
Volts (min.)	360 V				
60Hz Test Procedures					
High Potential Test 1 Minute	2000 V				
High Potential Test 1 Second	2500 V				
Secondary Open Ckt Voltage (V)	270 - 330				
Secondary Current Shorted (A)	3.20 - 4.15				
Input Operating Current (A)	0.91 - 1.11				
Input Open Circuit Current (A)	0.45 - 1.29				
Input Short Circuit Current (A)	0.45 - 0.80				
Core and Coil Specifications					
Dimension A	2.00 in				
Dimension B	3.90 in				
Weight	11.0 lbs				
Lead Lengths (inches)	12-14				
Coil Material (Pri. / Sec.):	Cu / Al				



Capacitor: R17058571 **Ignitor: None**

Max Case Temp: 100 °C
 Height: 3.82 in
 Width / Diameter: 1.85 in



This Ballast does not require a Ignitor

Oil Cap. - P/N 005-3160-MF Consult Catalog for Specs.

Document #:	010-9649-07
Date:	11/17/2008
Status:	Production
Replaces Catalog #:	1132-331R

Data is based upon tests performed by Universal Lighting Technologies in a controlled environment and is representative of relative performance. Actual performance may vary depending on operating conditions. Specifications are subject to change without notice.