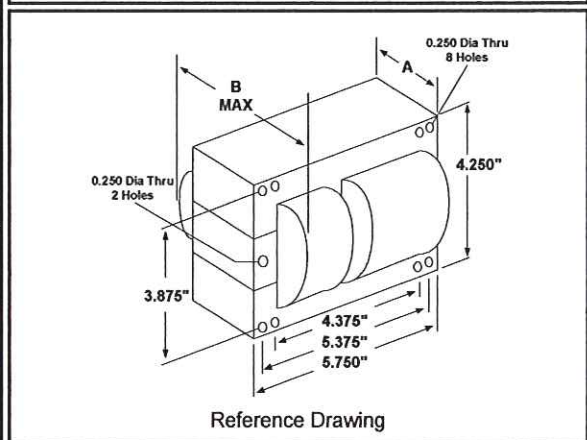
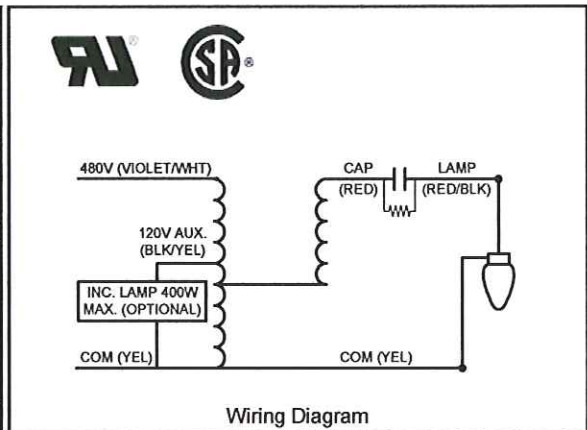


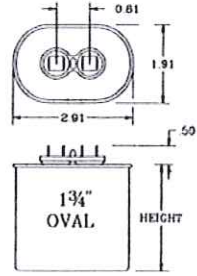
## Specification Sheet

<b>Input Volts</b>	480			
<b>Regulation</b>				
Line Volts	±10%			
Lamp Watts	±10%			
<b>Power Factor (min)</b>	90%			
<b>Input Watts</b>	1080 W			
<b>NOM. Open Circuit Voltage</b>	410 V			
<b>Line Current (Amps)</b>				
Operating	2.30			
Open Circuit	1.55			
Starting	1.40			
<b>Recommended Fuse (Amps)</b>	6			
<b>Lamp Dropout Voltage (Line)</b>	320 V			
<b>UL Temperature Ratings</b>				
Insulation Class	H (180°C)			
Temperature Code	D			
<b>MIN. Starting Temperature</b>	-22°F -30°C			
<b>CAPACITOR Specifications</b>				
Microfarads	24 uf			
Volts (min.)	480 V			
<b>60Hz Test Procedures</b>				
High Potential Test 1 Minute	2000 V			
High Potential Test 1 Second	2500 V			
Secondary Open Ckt Voltage (V)	365 - 455			
Secondary Current Shorted (A)	4.80 - 5.85			
Input Operating Current (A)	2.05 - 2.55			
Input Open Circuit Current (A)	0.75 - 2.20			
Input Short Circuit Current (A)	1.00 - 1.60			
<b>Core and Coil Specifications</b>				
Dimension A	2.85 in			
Dimension B	4.75 in			
Weight	22.0 lbs			
Lead Lengths (inches)	12-14			
Coil Material (Pri. / Sec.):	Cu / Al			



**Capacitor: 005-2779-MF**      **Ignitor: None**

Temp Rating: 90 °C  
 Height: 3.90 in  
 Width / Diameter: 2.91 in



**This Ballast does not require a Ignitor**

For alternate capacitor construction consult sales

Document #:	010-11771-01
Date:	2/18/2008
Status:	Production
Replaces Catalog #:	New Design

Data is based upon tests performed by Universal Lighting Technologies in a controlled environment and is representative of relative performance. Actual performance may vary depending on operating conditions. Specifications are subject to change without notice.