

KSB HYDROBLOC M

BOMBA MONOBLOCO DE MÚLTIPLOS ESTÁGIOS



MODELOS: MA e MB

Com seu design moderno, perfeita combinação dos materiais construtivos e hidráulica desenvolvida atendendo aos requisitos do mercado, a bomba centrífuga monobloco multiestágio KSB Hydrobloc M é a melhor solução para seus problemas de

Aplicações

Indicadas para serviços em sistemas de irrigação, ar condicionado, abastecimento de água e circulação de água, entre outros. Possui aplicações na indústria em geral para bombeamento de água, pressurização para abastecimento de água em edifícios, em residências, chácaras e

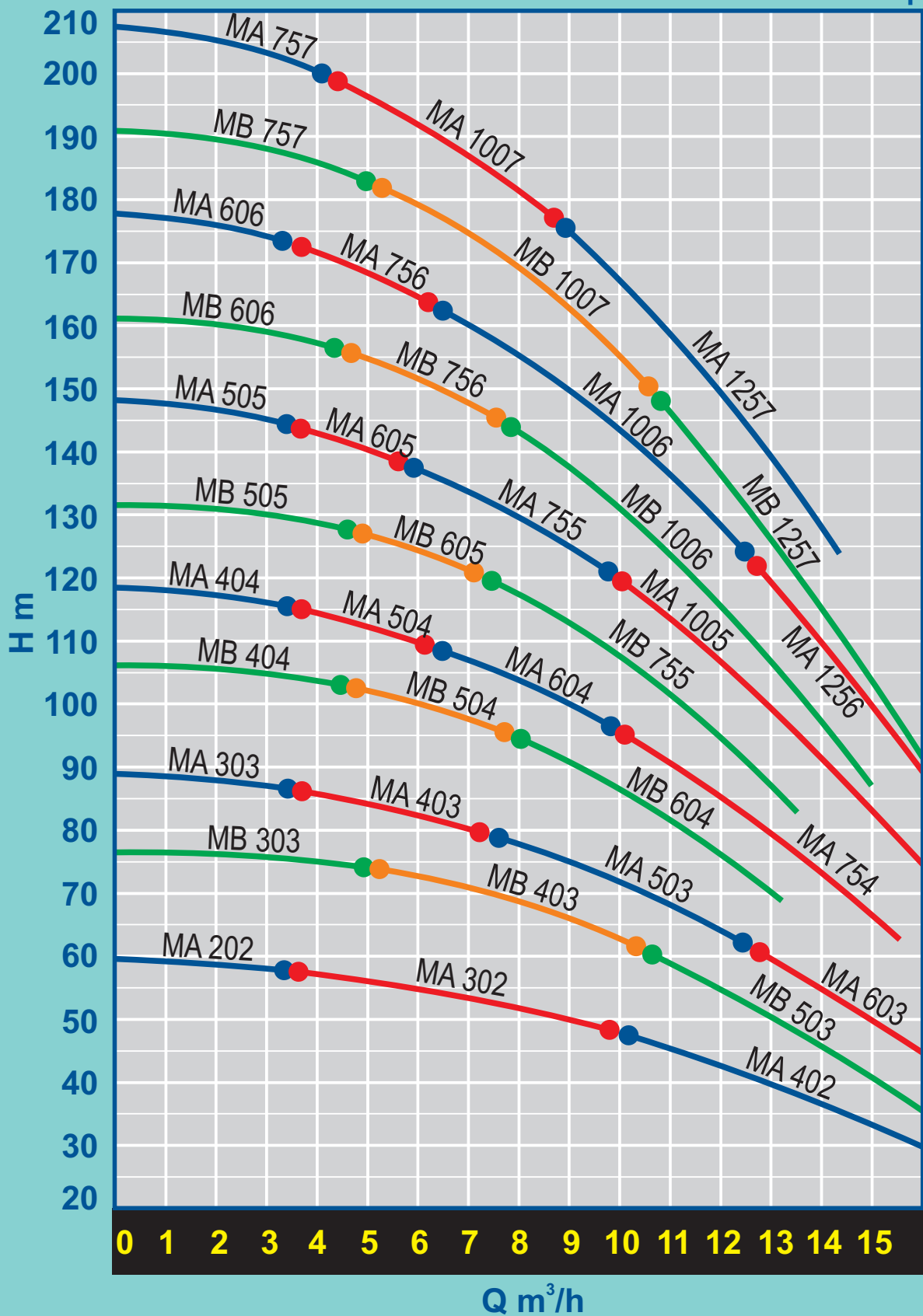
Descrição

- Horizontal, multiestágio com corpos de sucção, pressão e estágio seccionados verticalmente.
- Os corpos são vedados entre si por meio de anéis o'ring e unidos externamente através de tirantes.
- Acoplamento direto do motor flangeado no corpo de pressão.
- Vedação do eixo por meio de selo mecânico padronizado.

Modelos		MA e MB	
Tamanho		DN 32	
Nº de estágios		até 7	até 3
Vazão		até 16 m ³ /h	até 10 m ³ /h
Elevação		até 207 mca	até 88 mca
Temperatura Máxima do Líquido Bombeado		até +90 °C	
Rotação		até 3.500 rpm	
Pressão Máxima de Sucção		10 bar	
Pressão Máxima de Recalque na Vazão Zero		22 bar	9 bar
Pressão Máxima para Teste Hidrostático		28 bar	
Motor Elétrico	Potência	até 12,5 CV	até 3 CV
	Principais Características	IP 55, II Polos, T. F. V. E.	IP 21, II Polos
		60 Hz, B34D, Isol. CL B	60 Hz, Isol. CL B
	Tensão - Monofásico para 2,0 e 3,0 CV	110/220 V	
	Tensão - Monofásico para 4,0 e 5,0 CV	220/440 V	—
	Tensão - Trifásico	220/380/440 V	220/380 V
Sentido de Rotação visto pela Sucção		Horário	
Conexão de Sucção		G 2 "	
Conexão de Recalque		G 1 ½ "	

Curvas Características

3.500 rpm

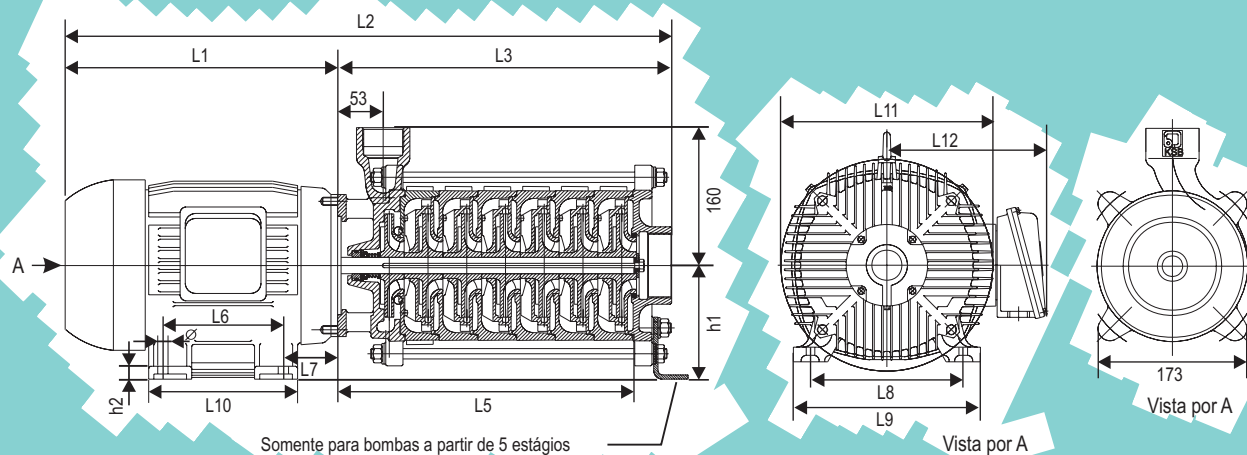


As curvas características referem-se a água à temperatura ambiente e peso específico igual a 1 kgf/dm³. Tolerância das curvas conforme ISO 9906 Anexo A.

Tabela de Seleção

MODELO	Potência (CV)	Número de Estágios	Monofásico	Trifásico	VAZÃO EM m³/h																
					VAZÃO EM l/min.																
					0	1	2	3	4	5	6	7	8	9	10	11	12	13	14	15	16
					0	16,7	33,3	50,0	66,7	83,4	100,0	116,7	133,4	150,0	166,7	183,4	200,0	216,7	233,4	250,0	266,7
					ALTURA MANOMÉTRICA EM mca																
MA 202	2,0	2	X	X	59,5	59,0	58,5	58,0													
MA 303	3,0	3	X	X	89,0	88,5	87,0	86,5													
MB 303	3,0	3	X	X	76,5	76,0	76,0	75,5	74,0												
MA 404	4,0	4	X	X	118,5	118,0	117,0	116,0													
MB 404	4,0	4	X	X	106,0	105,5	105,0	104,5	104,0												
MA 505	5,0	5	X	X	148,0	147,5	146,0	145,0													
MB 505	5,0	5	X	X	131,5	131,5	131,0	130,0	128,5												
MA 606	6,0	6	X	X	178,0	177,0	175,5	174,0													
MB 606	6,0	6	X	X	161,0	161,0	160,0	160,0	157,0												
MA 757	7,5	7	X	X	207,0	206,5	205,0	203,0	200,0												
MB 757	7,5	7	X	X	191,0	190,0	189,5	188,0	186,0	183,0											
MA 302	3,0	2	X	X	59,5	59,0	58,5	58,0	57,0	56,0	55,0	53,5	52,0	50,0							
MA 403	4,0	3	X	X	89,0	88,5	87,0	86,5	85,5	84,0	82,5	80,0									
MA 504	5,0	4	X	X	118,5	118,0	117,0	116,0	114,0	112,0	110,0										
MA 605	6,0	5	X	X	148,0	147,5	146,0	145,0	142,5	140,0											
MA 756	7,5	6	X	X	178,0	177,0	175,5	174,0	171,0	168,0	164,5										
MB 504	5,0	4	X	X	106,0	105,5	105,0	104,5	104,0	102,0	100,0	98,0	94,5								
MB 605	6,0	5	X	X	131,5	131,5	131,0	130,0	128,0	127,0	124,5	121,5									
MB 756	7,5	6	X	X	161,0	161,0	160,0	160,0	157,0	155,0	152,0	148,0									
MA 1007	10,0	7	X	X	207,0	206,5	205,0	203,0	200,0	196,0	192,0	187,0	182,0	63,0							
MB 403	4,0	3	X	X	76,5	76,0	76,0	75,5	74,0	74,5	72,5	71,0	69,0	66,0							
MA 755	7,5	5	X	X	148,0	147,5	146,0	145,0	142,5	140,0	137,0	133,5	130,0	125,0							
MB 1007	10,0	7	X	X	191,0	190,0	189,5	188,0	186,0	183,0	179,0	174,5	169,5	163,0	155,0						
MA 604	6,0	4	X	X	118,5	118,0	117,0	116,0	114,0	112,0	110,0	107,0	104,0	100,0							
MA 1006	10,0	6	X	X	178,0	177,0	175,5	174,0	171,0	168,0	164,5	160,5	156,0	150,0	144,0	136,0	128,0				
MA 503	5,0	3	X	X	89,0	88,5	87,0	86,5	85,5	84,0	82,5	80,0	78,0	75,0	72,0	68,0	64,0				
MB 755	7,5	5	X	X	131,5	131,5	131,0	130,0	128,0	127,0	124,5	121,5	117,5	113,0	107,5	101,5	94,5	87,0			
MB 1006	10,0	6	X	X	161,0	161,0	160,0	160,0	157,0	155,0	152,0	148,0	143,5	138,0	131,5	124,0	115,5	106,5	97,0	87,0	
MB 604	6,0	4	X	X	106,0	105,5	105,0	104,5	104,0	102,0	100,0	98,0	94,5	91,0	86,5	82,0	76,0	70,0			
MA 1257	12,5	7	X	X	207,0	206,5	205,0	203,0	200,0	196,0	192,0	187,0	182,0	175,0	168,0	159,0	149,5	139,0	128,0		
MA 402	4,0	2	X	X	59,5	59,0	58,5	58,0	57,0	56,0	55,0	53,5	52,0	50,0	48,0	45,0	42,0	39,5	36,5	33,0	29,5
MA 754	7,5	4	X	X	118,5	118,0	117,0	116,0	114,0	112,0	110,0	107,0	104,0	100,0	96,0	91,0	85,5	79,0	73,0	66,0	
MA 1005	10,0	5	X	X	148,0	147,5	146,0	145,0	142,5	140,0	137,0	133,5	130,0	125,0	120,0	113,5	107,0	99,0	91,5	83,0	74,0
MB 503	5,0	3	X	X	76,5	76,0	76,0	75,5	74,0	74,5	72,5	71,0	69,0	66,0	63,0	59,0	55,0	50,0	45,5	40,0	35,5
MB 1257	12,5	7	X	X	191,0	190,0	189,5	188,0	186,0	183,0	179,0	174,5	169,5	163,0	155,0	146,5	137,0	126,5	115,0	103,5	91,0
MA 603	6,0	3	X	X	89,0	88,5	87,0	86,5	85,5	84,0	82,5	80,0	78,0	75,0	72,0	68,0	64,0	59,2	55,0	49,5	44,5
MA 1256	12,5	6	X	X	178,0	177,0	175,5	174,0	171,0	168,0	164,5	160,5	156,0	150,0	144,0	136,0	128,0	119,0	109,5	99,5	89,0

Tabelas de Medidas



MODELOS MA MB	Nº de Estágios	MOTOR		CONJUNTOS COM MOTORES TRIFÁSICOS - IP55														Pesos (kg)
		Potência (CV)	Carga	L1	L2	L3	L5	L6	L7	L8	L9	L10	L11	L12	Ø	h1	h2	
202	2	2,0	90 S	255	418	163	120	100	56	140	164	131	174	150	10	90	15	30
302	2	3,0	90 S	255	418	163	120	100	56	140	164	131	174	150	10	90	15	35
303	3	3,0	90 S	255	463	208	165	100	56	140	164	131	174	150	10	90	15	39
402	2	4,0	100 L	280	443	163	120	125	56	140	164	156	174	150	10	90	15	40
403	3	4,0	100 L	280	488	208	165	125	56	140	164	156	174	150	10	90	15	42
404	4	4,0	100 L	280	533	253	210	125	56	140	164	156	174	150	10	90	15	46
503	3	5,0	100 L	316	524	208	165	140	63	160	188	173	196	160	12	100	15	50
504	4	5,0	100 L	316	569	253	210	140	63	160	188	173	196	160	12	100	15	54
505	5	5,0	100 L	316	614	298	255	140	63	160	188	173	196	160	12	100	15	58
603	3	6,0	112 M	335	543	208	165	140	70	190	220	177	222	180	12	112	18	59
604	4	6,0	112 M	335	588	253	210	140	70	190	220	177	222	180	12	112	18	63
605	5	6,0	112 M	335	633	298	255	140	70	190	220	177	222	180	12	112	18	67
606	6	6,0	112 M	335	678	343	300	140	70	190	220	177	222	180	12	112	18	71
754	4	7,5	112 M	335	588	253	210	140	70	190	220	177	222	180	12	112	18	66
755	5	7,5	112 M	335	633	298	255	140	70	190	220	177	222	180	12	112	18	70
756	6	7,5	112 M	335	678	343	300	140	70	190	220	177	222	180	12	112	18	74
757	7	7,5	112 M	335	723	388	345	140	70	190	220	177	222	180	12	112	18	78
1005	5	10,0	132 S	372	670	298	255	140	85	216	248	187	260	207	12	132	21	85
1006	6	10,0	132 S	372	715	343	300	140	85	216	248	187	260	207	12	132	21	89
1007	7	10,0	132 S	372	760	388	345	140	85	216	248	187	260	207	12	132	21	93
1256	6	12,5	132 M	410	753	343	300	178	85	216	248	225	260	207	12	132	21	98
1257	7	12,5	132 M	410	798	388	345	178	85	216	248	225	260	207	12	132	21	102

MODELOS MA MB	Nº de Estágios	MOTOR		CONJUNTOS COM MOTORES MONOFÁSICOS - IP55														Pesos (kg)
		Potência (CV)	Carga	L1	L2	L3	L5	L6	L7	L8	L9	L10	L11	L12	Ø	h1	h2	
202 M	2	2,0	90 L	310	473	163	120	125	56	140	164	156	177	155	10	90	15	44
302 M	2	3,0	100 L	360	523	163	120	140	63	160	188	173	198	165	12	100	15	54
303 M	3	3,0	100 L	360	568	208	165	140	63	160	188	173	198	165	12	100	15	58
402 M	2	4,0	112 M	363	526	163	120	140	70	190	220	177	200	187	12	112	16	64
403 M	3	4,0	112 M	363	571	208	165	140	70	190	220	177	200	187	12	112	16	68
404 M	4	4,0	112 M	363	616	253	210	140	70	190	220	177	200	187	12	112	16	72
503 M	3	5,0	112 M	363	571	208	165	140	70	190	220	177	223	199	12	112	18	71
504 M	4	5,0	112 M	363	616	253	210	140	70	190	220	177	223	199	12	112	18	75
505 M	5	5,0	112 M	363	661	298	255	140	70	190	220	177	223	199	12	112	18	79

MODELOS MA MB	Nº de Estágios	MOTOR		CONJUNTOS COM MOTORES TRIFÁSICOS - IP21														Pesos (kg)
		Potência (CV)	Carga	L1	L2	L3	L5	L6	L7	L8	L9	L10	L11	L12	Ø	h1	h2	
202	2	2,0	D56	264	478	214	171	76	70	124	166	102	177	-	8,7	88,9	3	30
302	2	3,0	F56H	294	508	214	171	127	70	124	166	165	198	-	8,7	88,9	3	33
303	3	3,0	F56H	294	553	259	216	127	70	124	166	165	198	-	8,7	88,9	3	36

MODELOS MA MB	Nº de Estágios	MOTOR		CONJUNTOS COM MOTORES MONOFÁSICOS - IP21														Pesos (kg)
		Potência (CV)	Carga	L1	L2	L3	L5	L6	L7	L8	L9	L10	L11	L12	Ø	h1	h2	
202 M	2	2,0	F56H	271	508	214	171	127	65	124	166	165	165	121	8,7	88,9	3	37
302 M	2	3,0	G56H	291	518	214	171	127	65	124	166	165	165	121	8,7	88,9	3	38
303 M	3	3,0	G56H	291	563	259	216	127	65	124	166	165	165	121	8,7	88,9	3	41

Nº A2751.12P/3 - A KSB se reserva o direito de alterar, sem aviso prévio, as informações contidas neste folheto.

KSB BOMBAS HIDRÁULICAS S. A.
 Rua José Rabelo Portella, 400
 Várzea Paulista/SP - CEP 13220-540
 Fone: 0XX 11 4596-8500 - Fax: 0XX 11 4596-8747
 Linha Direta Housing: 0800 55-9500
 E-mail: housing@ksb.com.br

Distribuidor/Revendedor:

